



SPECTATOR INFORMATION

Additional information available on the OSAA website, <http://www.osaa.org/activities>

1. **EMERGENCY PLAN:** In the event of an emergency, natural disaster, fire, war, etc. that forces postponement or cancellation of an OSAA State Championship event, information will be posted to the home page of the OSAA website (<http://www.osaa.org>) and distributed to statewide media outlets.

2. **NEW OSAA LIVE MOBILE APP:** <http://www.osaa.org/app>



The new OSAA Live mobile app allows you to:

- Access OSAA State Championship Programs
- Follow your favorite teams
- Get updated schedules, scores, and rankings

Download the OSAA Live mobile app using the QR code above or find it in the App Store or in Google Play by searching for "OSAA Live".

3. **ADMISSION:**

A. **General Admission Tickets:**

Student is any child age 5 & up through a senior in high school. Adults - \$8 Students - \$5

B. **GoFan Ticket Orders:** <http://www.osaa.org/shop/tickets>

The OSAA and GoFan are working together to bring digital ticketing to our State Championship events. Spectators will now be able to purchase their tickets online any time including the day of the event and truly skip the lines as they enter. GoFan Customer Service: service@gofan.co or 1.678.679.7676.

Cost Structure: ADULT Ticket: GoFan / \$8 + \$1.40 Convenience Fee per ticket; Finals Site Box Office / \$8
 STUDENT Ticket: GoFan / \$5 + \$1.25 Convenience Fee per ticket; Finals Site Box Office / \$5

C. **Finals Site:**

- 1) Gates open at 8am. GA / Student is any child age 5 & up through a senior in high school / Adults - \$8 Students - \$5
- 2) Will Call Window located at Gate 1 (West Gate).
- 3) No personal checks / No American Express Credit Cards.
- 4) VISA / MasterCard sales at Gate 1 (West Gate) only.

4. **LODGING AND VISITOR INFORMATION:** Schools are to make their own arrangements for lodging.

A. **Headquarter Hotel – Holiday Inn Express – Eugene:** <http://www.hiexpress.com/eugeneoregon>

Contact Marlana Bickel at 541.284.0256 for rate information. Remember to mention that you are an OSAA school.

B. **Visitor Information:** <http://www.travellanecounty.org>

Visit Travel Lane County online or call them at 800.547.5445 for more information about dining, shopping, lodging, and more while in Lane County.

5. **SPECTATOR CONDUCT AT OSAA SANCTIONED EVENTS** (OSAA Handbook, Executive Board Policies) (Revised Winter 2015)

In addition to the general expectations included in the OSAA Constitution, Rule 3, that school officials...shall take all reasonable measures to ensure that the school's students and supporters maintain a sportsmanlike attitude toward all events... the following specific expectations regarding spectator conduct at all OSAA sanctioned events, including regular and post season competition, are provided:

- A. All cheers, comments and actions shall be in direct support of one’s team. No cheers, comments or actions shall be directed at one’s opponent or at contest officials. Some examples of inappropriate conduct or actions that are not permitted are: turning backs, holding up newspapers or jeering at cheerleaders during opposing team introductions; disrespecting players by name, number or position; negative cheers or chants; throwing objects on the floor.
 - B. Spectators are not permitted to have signs or banners (larger than 8 ½ by 11 inches), confetti, balloons or glass containers. Fathead type items are considered signs and shall not be larger than 8 ½ by 11 inches. Spectators are required to wear shirts.
 - C. Spectators are not permitted to have artificial noisemakers. Some examples of artificial noisemakers are Thunder Stix, cowbells, clappers and air horns.
 - D. Spectators shall not be permitted to use vulgar/offensive or racially/culturally insensitive language. Spectators shall not be permitted to engage in any racially / culturally insensitive action.
 - E. Spectators who fail to comply with Association or site management spectator conduct expectations may be expelled from the contest.
6. **SERVICE ANIMALS:** Trained guide dogs and service animals assisting guests are welcome at OSAA State Championships. All other animals are prohibited. All service animals must remain on a leash or in a harness, and be in full control of the handler, at all times. Handlers are responsible for any damage or injuries caused by their animals, must properly dispose of waste in appropriate containers and must take appropriate precautions to prevent property damage or injury.
7. **LOST AND FOUND:** During the event, Lost & Found will be at the OSAA Event Office or other location designated by the host facility / OSAA Staff. For more information please contact <https://www.lanecc.edu/copps/documents/lost-and-found> or 541.463.5588 for your items.

7. **RACE AND AWARDS SCHEDULE:** *(Excerpt from OSAA 2018 Cross Country Plan)*

| | | | |
|---|----------------|---------------------------|----------|
| 10am | 3A/2A/1A Girls | 12:50pm – 1:40pm | BREAK |
| 10:35am | 2A/1A Boys | 1:45pm | 5A Girls |
| 11:10am | 3A Boys | 2:20pm | 5A Boys |
| Presentation of 3A, 2A/1A & 3A/2A/1A Awards | | Presentation of 5A Awards | |
| 11:45am | 4A Girls | 2:55pm | 6A Girls |
| 12:20pm | 4A Boys | 3:30pm | 6A Boys |
| Presentation of 4A Awards | | Presentation of 6A Awards | |

Note: Individual medals will be presented to the top ten finishers at the conclusion of each race.

8. **AWARDS:** Team trophies will be presented according to the race schedule listed above. Individual medals will be presented to the top ten finishers immediately following each race.
- A. **Trophies** – Champion through fourth place trophies will be presented to the top teams in each race.
 - B. **Medals** – Individual medals will be presented to the top 10 finishers of each race. Nine medals will be presented to both the champion and second place teams in each race.
 - C. **Moda Health Athlete of the Meet** – The top finisher in each race will be recognized as that race’s Moda Health Athlete of the Meet. The winner will be announced over the PA and will receive a certificate and commemorative gift from Moda Health the week following the championships. The certificate and gift will be mailed to the student’s athletic director.

9. **STATE CHAMPIONSHIP RESULTS:** <http://www.osaa.org/activities>

Complete team and individual results will be posted immediately following each race on November 3. Please instruct your fans and local media to go there for results.

SOUVENIR INFORMATION

Additional souvenir information available on the OSAA website, <http://www.osaa.org/shop>

1. **SPORTS U MERCHANDISE:** <http://www.osaastore.com>

- A. **Finals Site:** Sports U will be onsite with a wide variety of Cross Country State Championship souvenir merchandise. Stop by the merchandise booth on the berm to purchase t-shirts, sweatshirts, sweatpants, letterman patches, hats and much more. Items not sold at the event will be available for purchase online after the state championships while supplies last.
- B. **Official Letterman Patches:** Get your official OSAA Cross Country State Championship letterman patch onsite or by ordering online. Forget to get one last year? You can order an official letterman patch for any year in any OSAA activity by ordering online.

C. **Sports U Contact Information:** Sports U is the official merchandise vendor of the OSAA. For more information, contact Sports U at 503.227.2051 or via email at erics@sportsu-store.com.

2. **NORTHWEST SPORTS PHOTOGRAPHY (NSP):** <http://4nsp.com/PhotosAction.aspx>

A. **Action and Awards Photos:** NSP will shoot action photos during all games. Awards photos will be taken during each trophy presentation on Saturday. All action and award photos will be available online for purchase by Monday evening following the event.

B. **Team Photos:** NSP will have a photographer available to shoot team photos on Saturday. All team photos will be available online for purchase by Monday evening following the event.

C. **NSP Contact Information:** NSP is the official photographer of the OSAA. For more information, contact NSP at 800.446.5758 or via email at customerservice@4nsp.com.

3. **OSAA DIGITAL CHAMPIONSHIP PROGRAMS:** <http://www.osaa.org/programs>



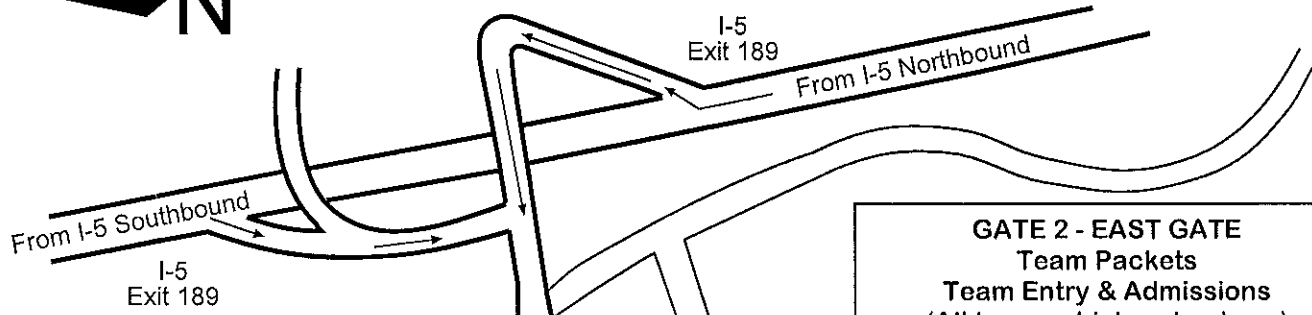
The Official Cross Country State Championship program will be available Wednesday, October 31. The program includes a listing of participants by race (including bib numbers), a course map, historical state championship records and a color map of all OSAA member schools.

Programs available on the OSAA Live mobile app and online. Download the OSAA Live mobile app from the App Store or Google Play by searching for "OSAA Live".

4. **MINI REPLICAS TROPHIES:** <http://www.osaa.org/shop#trophies>

D. **Mini Replica Trophies:** The OSAA is proud to be able to offer mini replicas of the trophies presented at the OSAA State Championships. Mini replica trophies are 8" tall x 10" wide x 5" deep and make a great gift for coaches, students, parents, etc. Mini replicas can be produced for teams and individuals for any year in any OSAA activity. Each mini replica trophy is \$65 and that includes a personalized nameplate, shipping & handling. Order mini replica trophies online.

E. **Crown Trophy Contact Information:** Crown Trophy manages the mini replica trophy program. For more information, contact Crown Trophy at 503.626.1125 or via email at awardpro@crowntrophy41.com.



**OSAA / OnPoint Community Credit Union
Cross Country State Championships
November 3, 2018
Lane Community College
4000 E 30th Avenue, Eugene, OR 97405**

Directions

Northbound (from the south) on Interstate 5

Take Exit 189, and at the stop sign, turn left and continue west to the first intersection.

Go straight through the intersection and continue along 30th Avenue.

Turn left on Eldon Schafer Drive to access the east parking lots, or stay on 30th and take the first exit to the right after the intersection to access the west parking lots.

Southbound (from the north) on Interstate 5

Take Exit 189 and continue to traffic light.

Turn right at the traffic light and go straight until the next intersection.

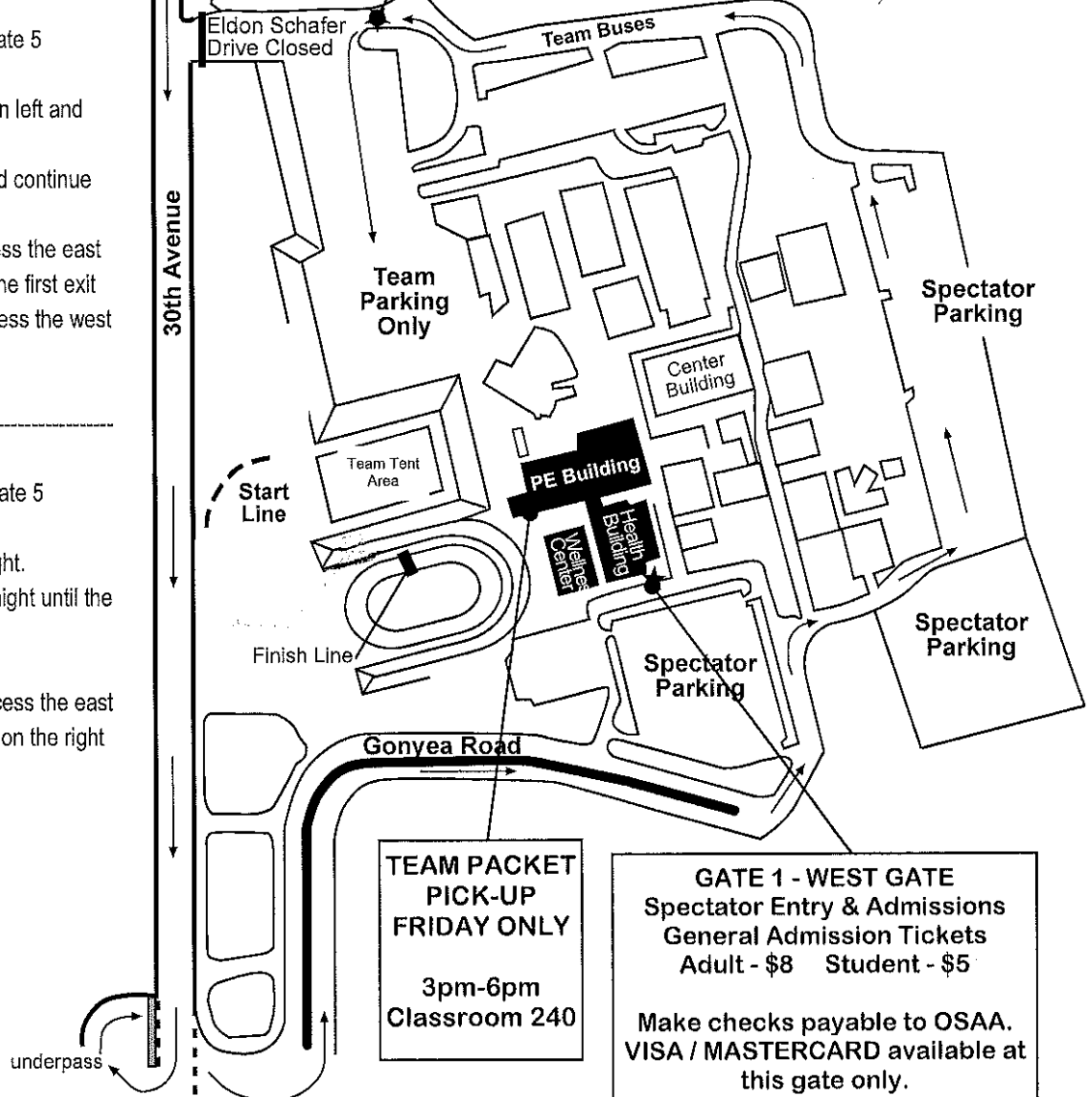
Turn right at the intersection.

Turn left on Eldon Schafer Drive to access the east parking lots or continue to the first exit on the right to access the west parking lots.

GATE 2 - EAST GATE
Team Packets
Team Entry & Admissions
(All team vehicles stop here)

General Admission Tickets
CASH ONLY
Adult - \$8 Student - \$5

Team Packet Pick-Up
Saturday 8am - 3pm



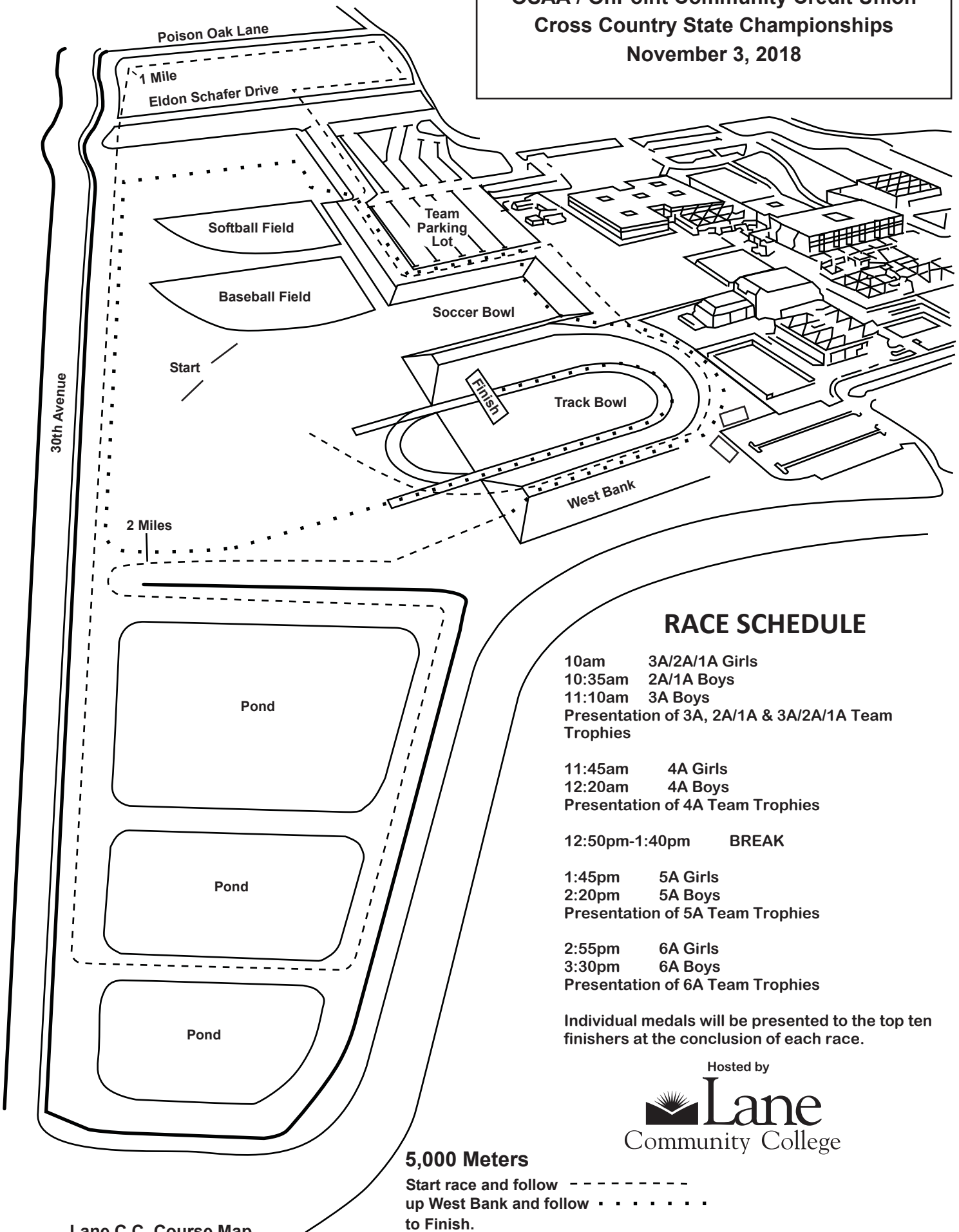
**TEAM PACKET
PICK-UP
FRIDAY ONLY**

3pm-6pm
Classroom 240

GATE 1 - WEST GATE
Spectator Entry & Admissions
General Admission Tickets
Adult - \$8 Student - \$5

Make checks payable to OSAA.
VISA / MASTERCARD available at
this gate only.
Will Call window located at this
gate only.

**OSAA / OnPoint Community Credit Union
Cross Country State Championships
November 3, 2018**



RACE SCHEDULE

- 10am 3A/2A/1A Girls
- 10:35am 2A/1A Boys
- 11:10am 3A Boys
- Presentation of 3A, 2A/1A & 3A/2A/1A Team Trophies

- 11:45am 4A Girls
- 12:20am 4A Boys
- Presentation of 4A Team Trophies

- 12:50pm-1:40pm BREAK

- 1:45pm 5A Girls
- 2:20pm 5A Boys
- Presentation of 5A Team Trophies

- 2:55pm 6A Girls
- 3:30pm 6A Boys
- Presentation of 6A Team Trophies

Individual medals will be presented to the top ten finishers at the conclusion of each race.

Hosted by

Lane
 Community College

5,000 Meters

Start race and follow -----
 up West Bank and follow
 to Finish.